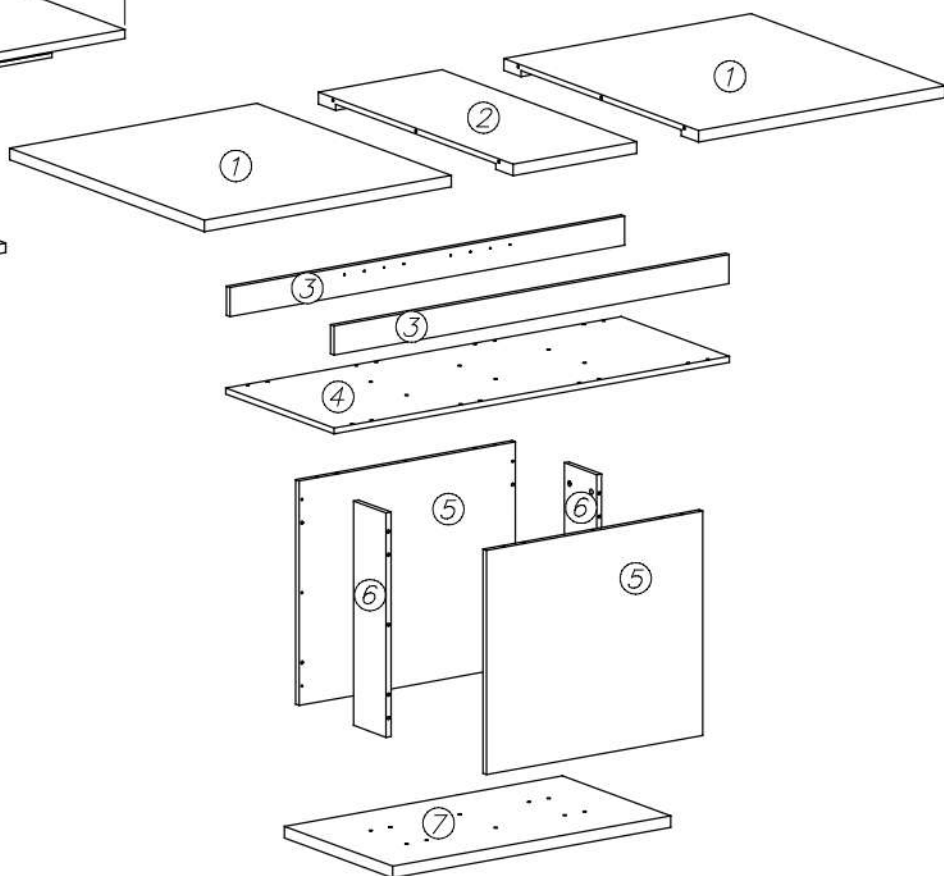
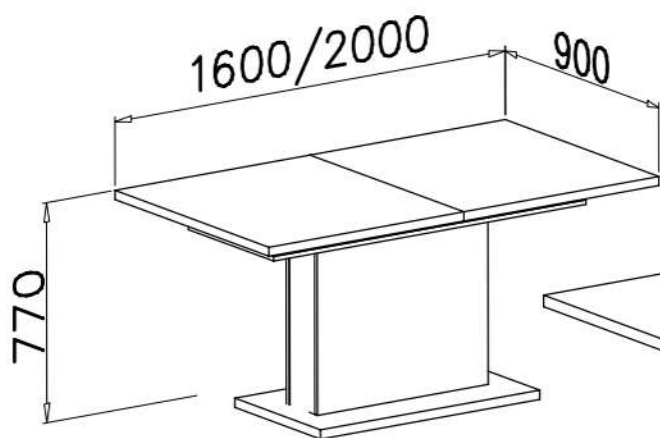
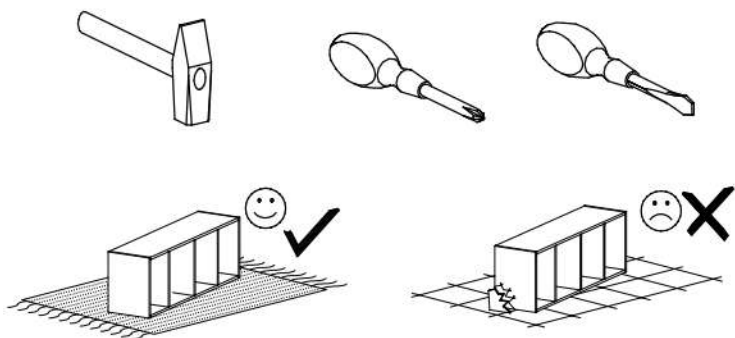
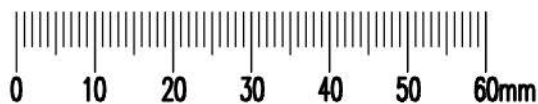
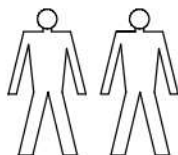



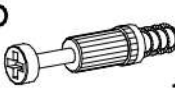



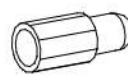
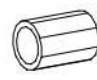

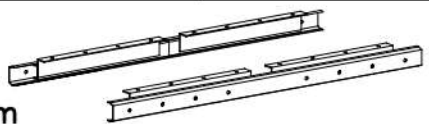
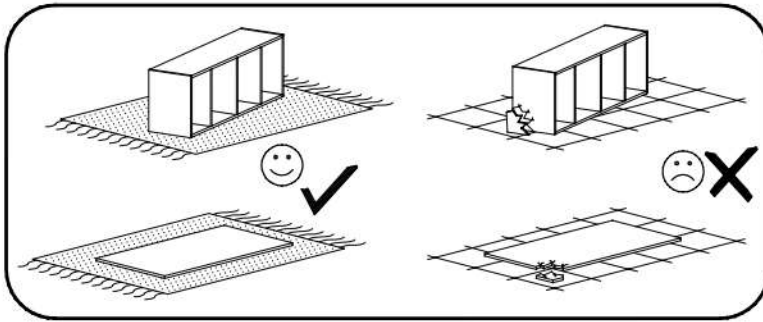


BOBA

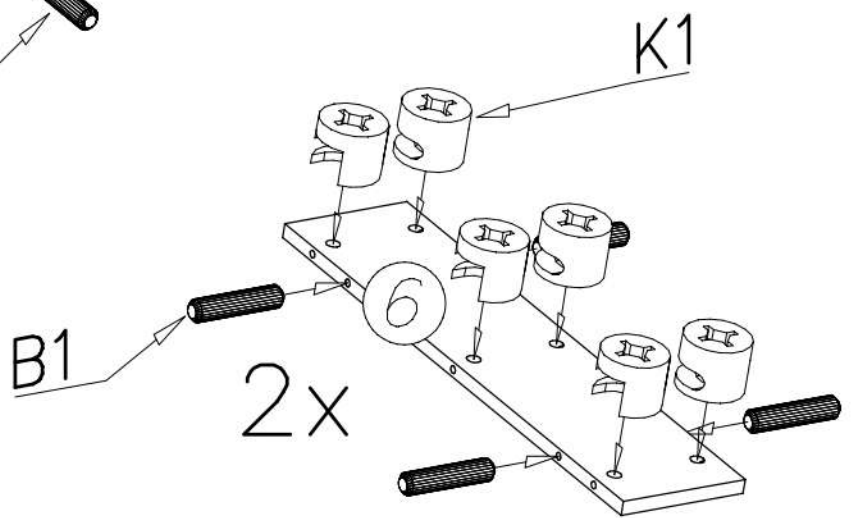
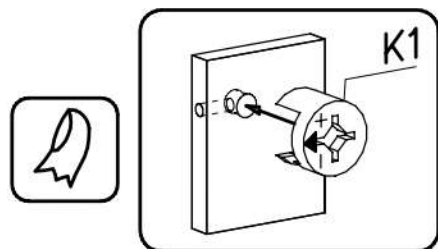
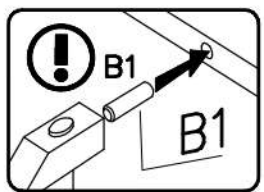
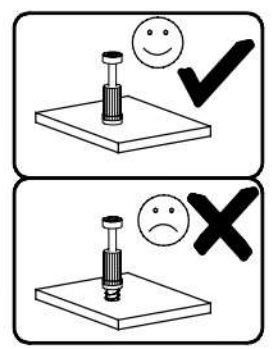
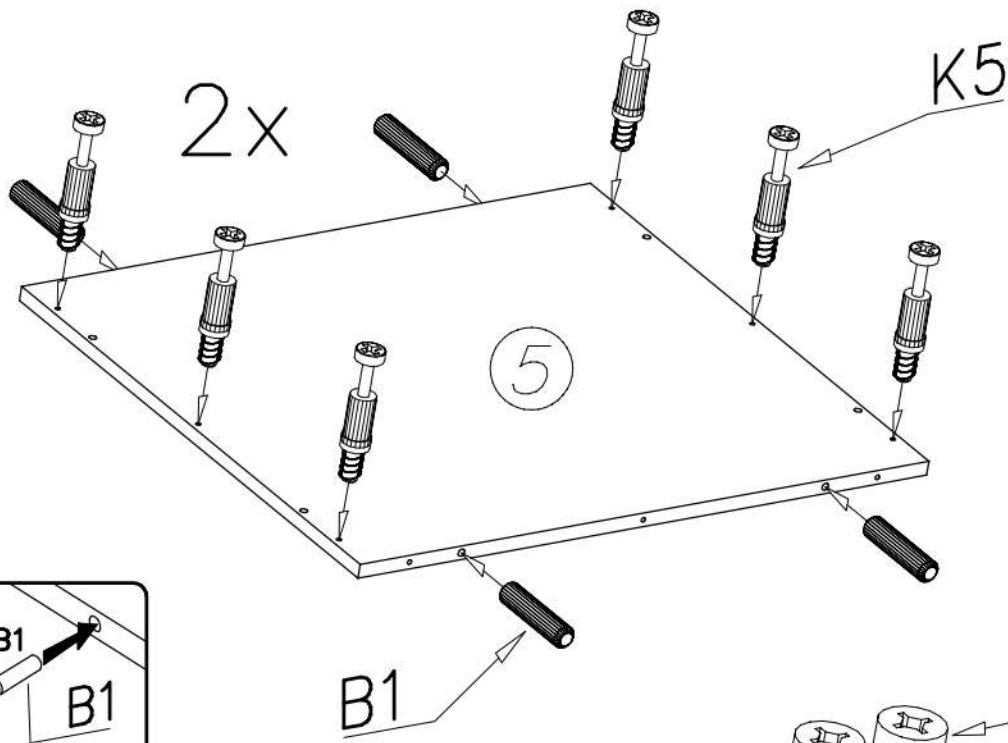
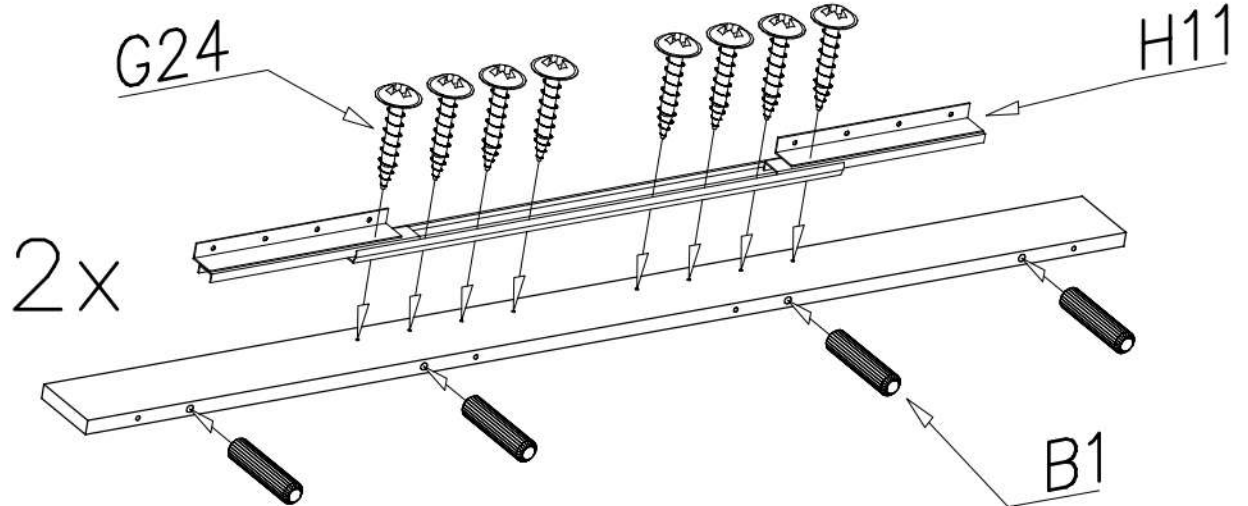


A1  $\varnothing 7 \times 50$ 20x	W2  1x				
B1  $\varnothing 8 \times 30$ 24x	K5  12x	P4  6x	G24  4×16 40x	M15  4x	
B5  6x	B6  6x	K1  $\varnothing 15 \times 12$ 12x	H11  600mm 1x		

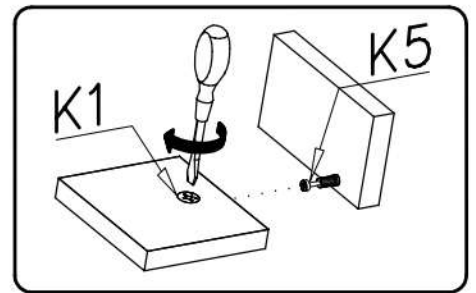
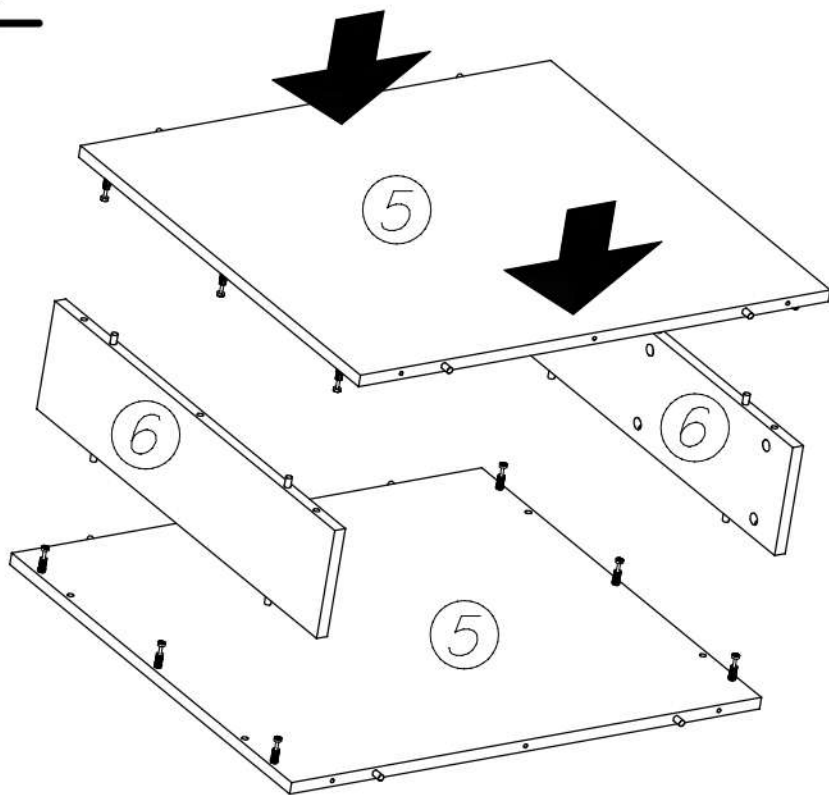


K5 12x	K1 12x
G24 4x16	B1 24x
H11 600mm	1x

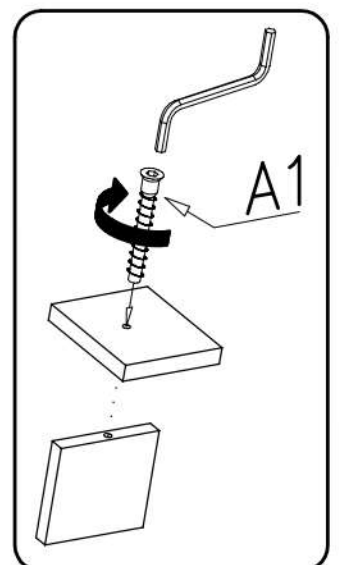
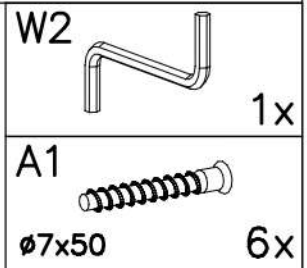
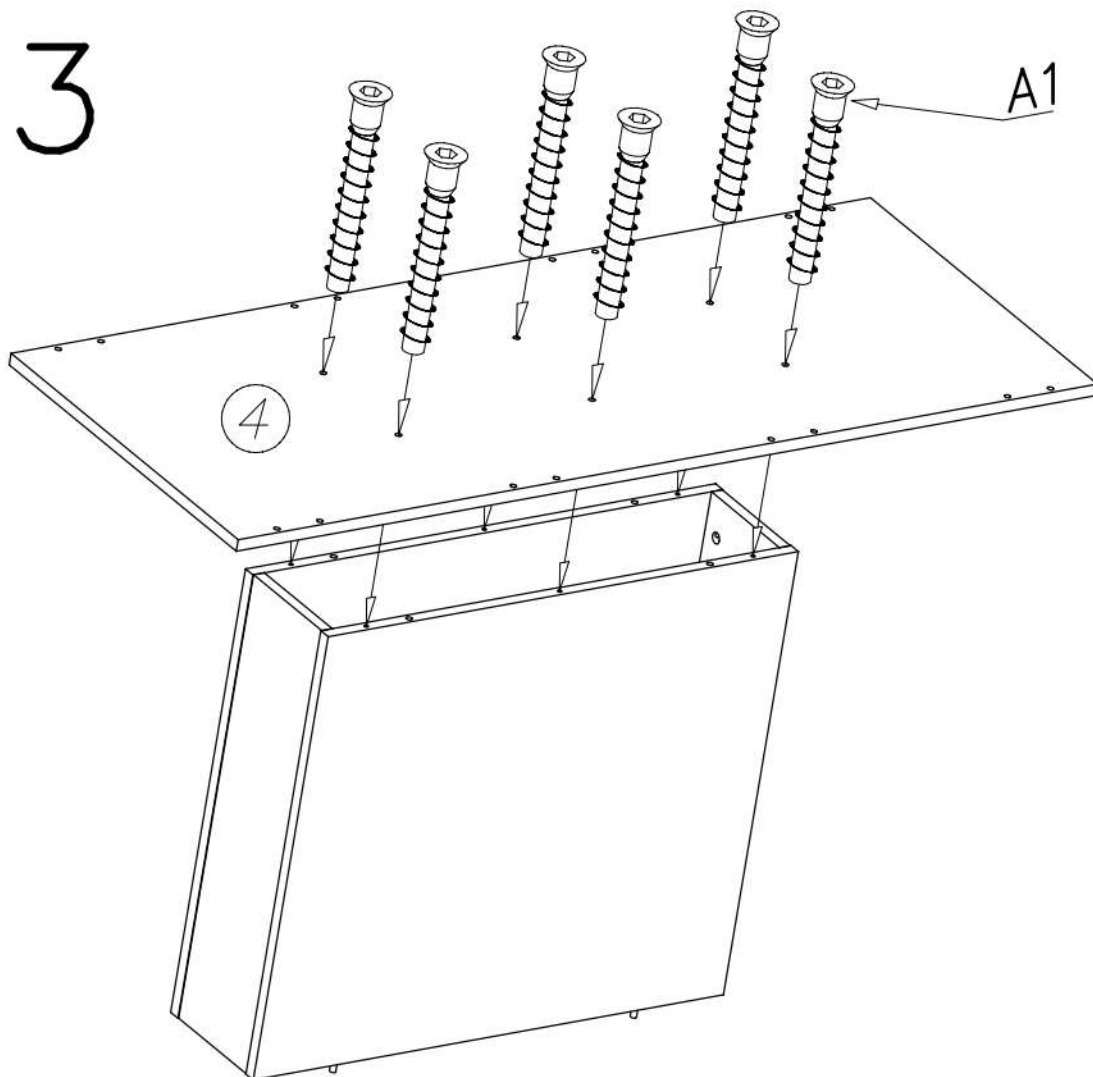
1



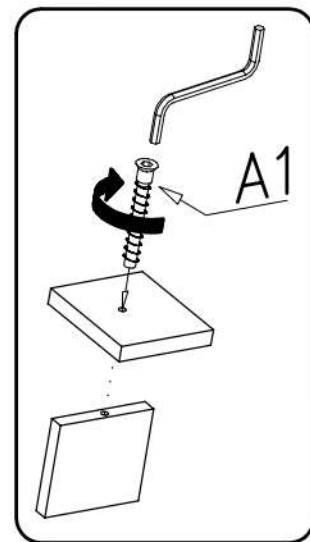
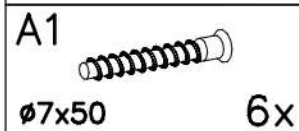
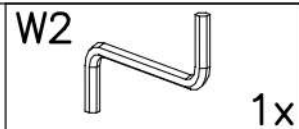
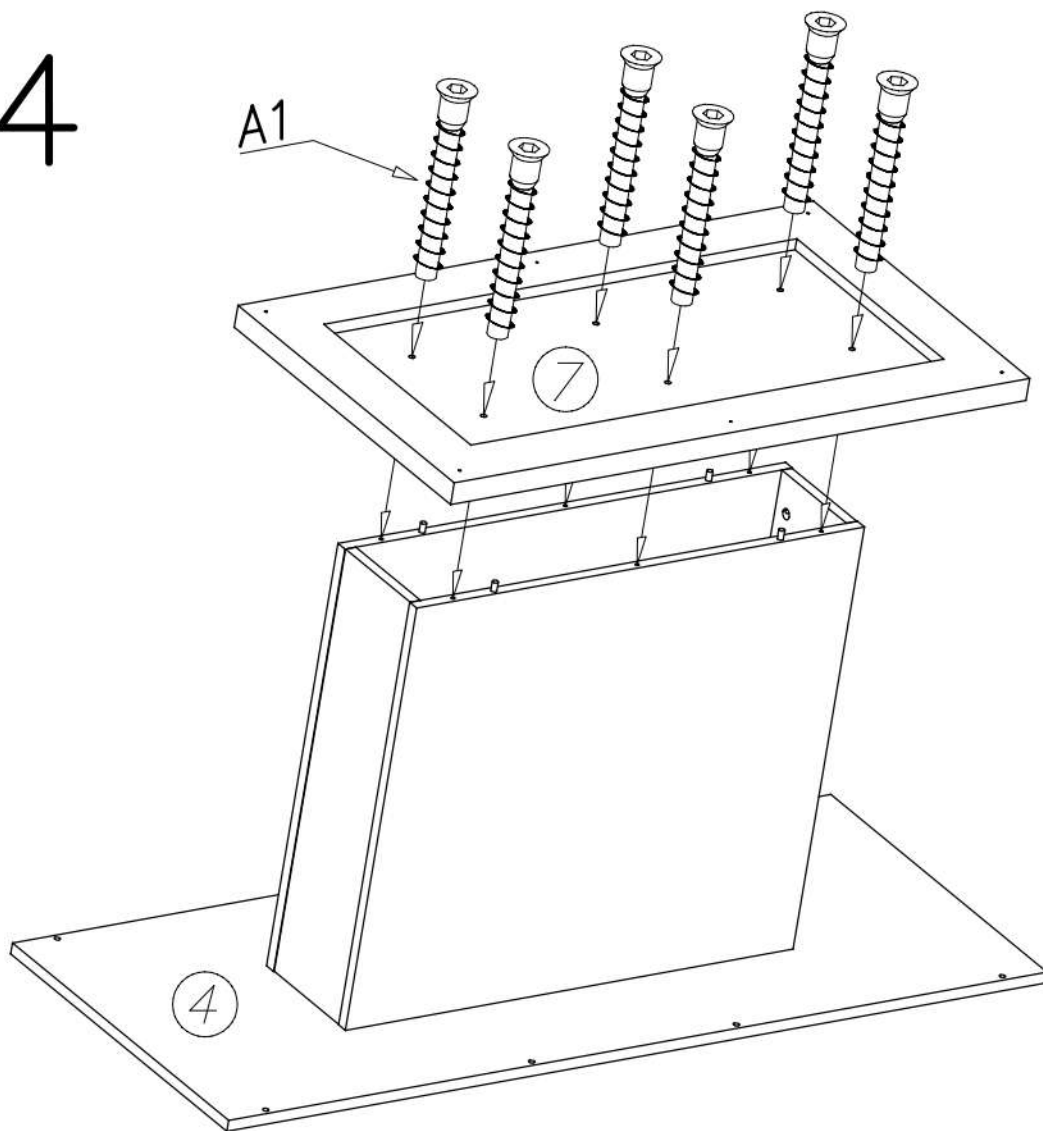
2



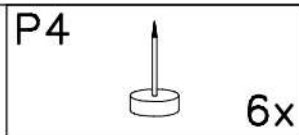
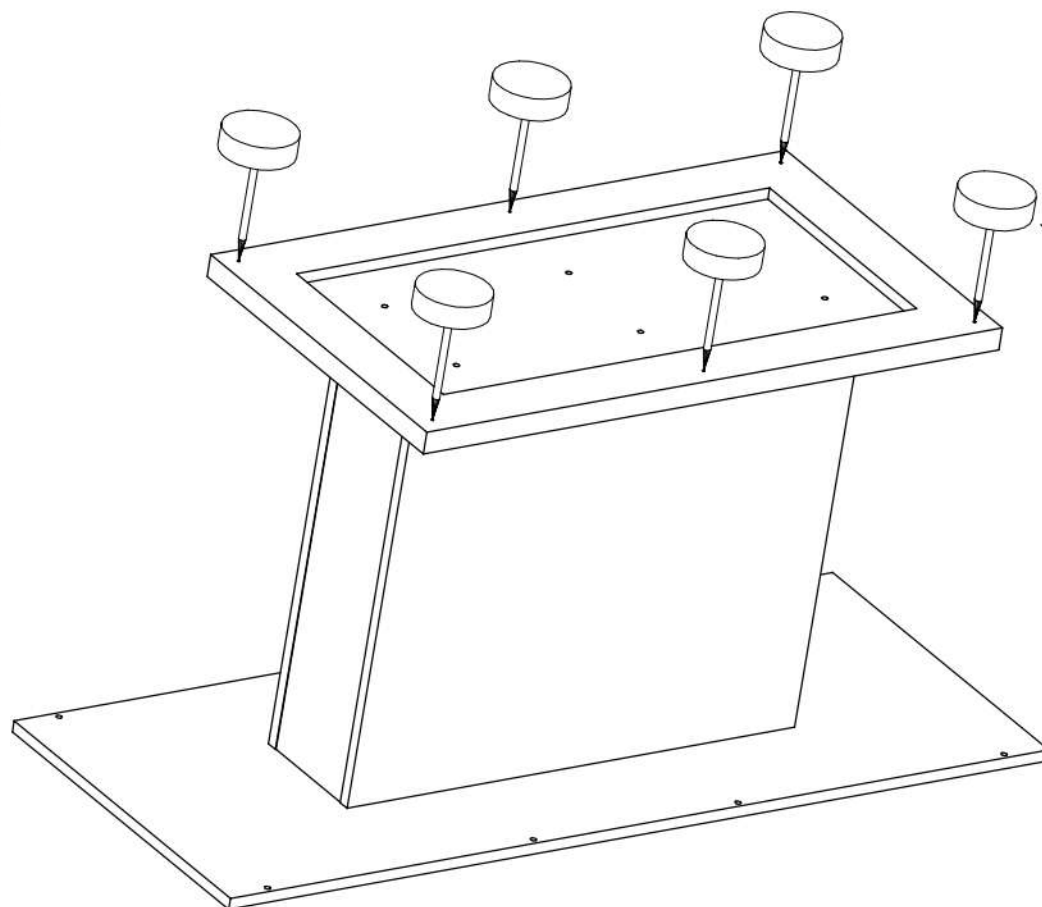
3



4



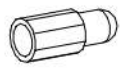
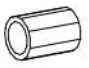

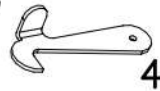
5

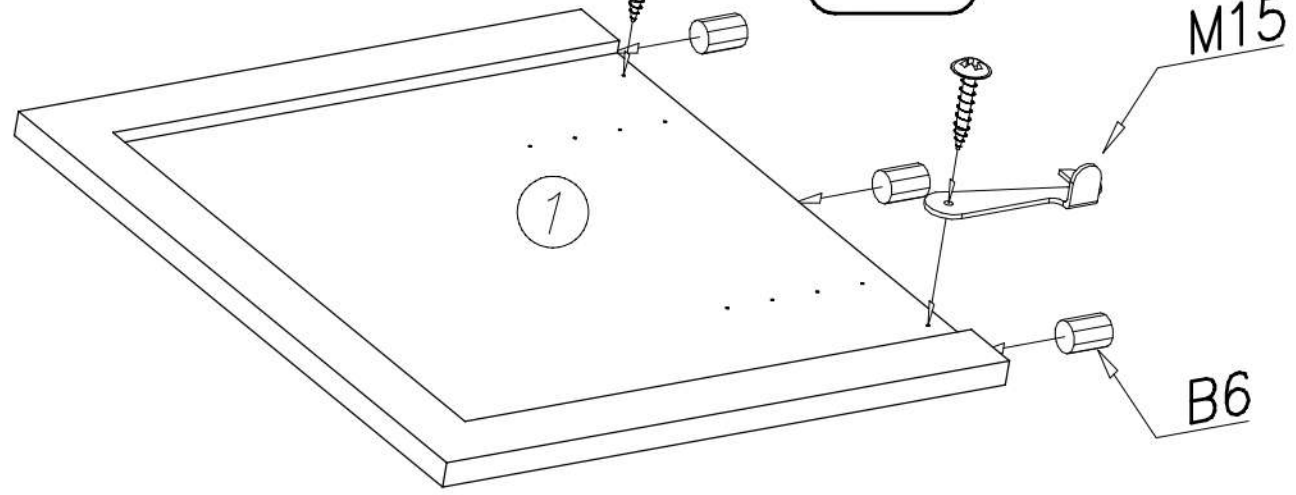
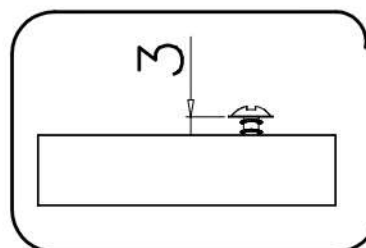
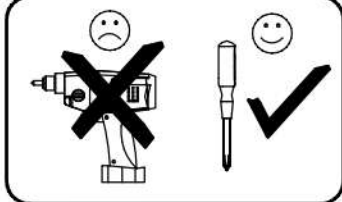
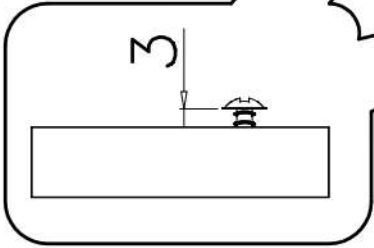


P4



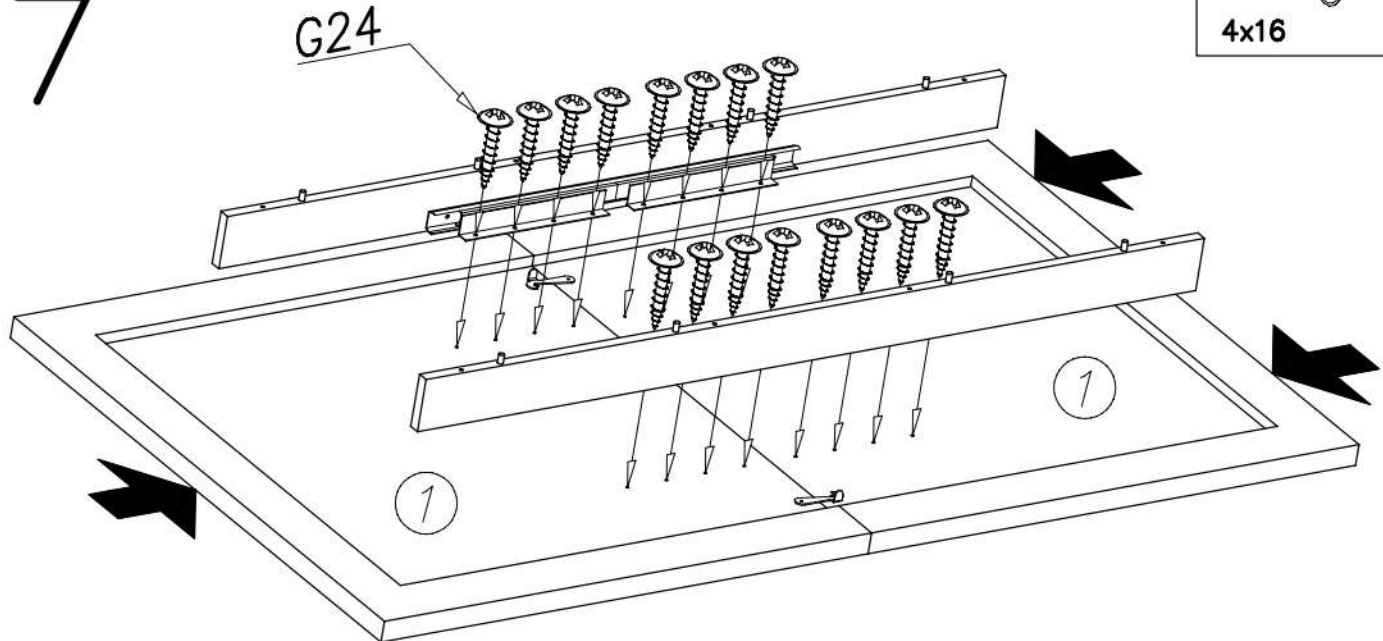
6

B5		6x	B6		6x
			G24		8x
			4x16		
			M15		4x



7

G24
4x16 16x



8

A1
ø7x50 8x

W2
1x

